

Fyreye MkII Addressable Detectors

(MKII-AOP, MKII-AOH, MKII-AHF, MKII-AHR)



MKII-AOP



MKII-AOH



MKII-AHF



MKII-AHR

The Fyreye MkII optical smoke detectors use a pulsing IR LED & photodiode to detect IR scatter caused by smoke entering the chamber.

The detector is particularly suitable for detecting optically dense smoke, involving materials such as soft furnishings, PVC, plastic, foam and all similar materials which produce small visible particles (0.5 to 10µm).

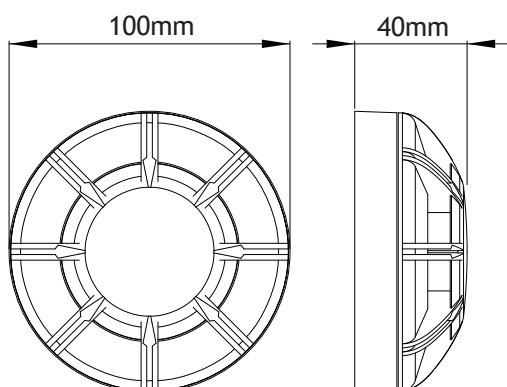
The detector will work with most modern fire alarm control panels and comes supplied with a locking grub screw to prevent unauthorised head removal.

The Fyreye MkII range of detectors have extra LED's to improve detector identification in an alarm condition.

The Fyreye Rate of Rise heat detectors (MKII-AHR) use a thermistor arrangement to sense a quick rise in temperature and also a final threshold temperature of 57°C. The Fyreye fixed heat detector (MKII-AHF) has a single thermistor arrangement that gives an alarm at a temperature of 90°C.

The detectors will work with most modern fire alarm control panels and comes supplied with a locking grub screw to prevent unauthorised head removal.

The Fyreye Extra range of detectors has an extra LED to improve detector identification in an alarm condition.



Features

- ✓ Designed to meet EN54 requirement
- ✓ Lockable to base to stop unauthorised removal
- ✓ Remote LED output
- ✓ 8 LEDs for 360° visibility
- ✓ Compatible with all Fyreye bases
- ✓ Addressed with dip switches or hand-held programmer

Model	MKII-AOP	MKII-AOH	MKII-AHF	MKII-AHR
Part No.	80-210	80-216	80-214	80-212
Detector Class	Optical Smoke	Combined Smoke & Heat	Fixed Heat Only A2S	Rate of Rise & Fixed Heat Detector A2R
Design Standard	EN54 part 7	EN54 parts 5 & 7	EN54 part 5	EN54 part 5
Approval	DIFT			
Operating Voltage	10.50 to 33VDC			
Quiescent Current	120mA Max		60mA Max	
Alarm Current @ 24V DC	45mA			
Operating Temperature	-10°C to +50°C			
Minimum Continuous Temperature	0°C			
Maximum Humidity	95% RH non-condensing			
Alarm Condition	2.4% obscuration per metre		Fixed heat trigger @90°C	Rate of rise or fixed heat trigger @ 57°C
Coverage	100m ²		50m ²	
IP Rating	IP43			
Start-up Time	10 Seconds			
Size (with Base)	100 x 48 mm	101 x 64 mm	100 x 48 mm	100 x 48 mm
Weight (with Base)	75g (133g)			
Remote Output	20mA at 24VDC			

Fyreye MkII Addressable Detector Base

There are 2 types of base available for the Fyreye MkII addressable range of detectors namely common base & diode base.



Model	MKII-CB
Part No.	80-20
Type	Common base
Supply Voltage	9-33V DC
Quiescent Current @ 24V	0µA
Alarm Current @ 24V	0mA
Operating Temperature	-20°C to 90°C (non-condensing or icing)
Max. Wind Speed	Not affected
Connections	L1in, L1out, L2, -R & Earth
Size	100 x 15mm
Weight	48g